

► **Code Number**

1001021

► **Description**

Complete Vitreous China Hybrid Urinal with automatic drain rinse.

► **Flush Cycle**

Waterfree operation

► **Specifications**

- Urinal Assembly
- Complete mounting kit included
- Jetrinse™ Assembly
- Utilizes existing control stop for water supply
- Patented housing and drain line rinsing
- Automatic activation injects 1 gallon of water through housing and drain line every 72 hours to prevent struvite build-up and clogs
- IR switch for manual rinse activation
- Long life lithium battery provides at least 8 years of service
- Cartridge Assembly\*
- Enhance patented design maximizes operational life, prevents accidental sealant loss and virtually eliminates odor
- Biodegradable sealant liquid
- Vandal resistant locking design
- 20% less plastic than previous designs
- Provides average of 7,000 uses that saves up to 40,000 gallons of water each year
- \* Replacement cartridges sold separately

► **Features**

- Patented drain rinsing assembly
- Minimizes cleaning effort
- Virtually eliminates odor
- Touch-free hygienic operation
- Earns maximum LEED credits
- Up to 5 times cleaner than conventional flush urinals
- Best in class odor control



► **Compliance & Certifications**

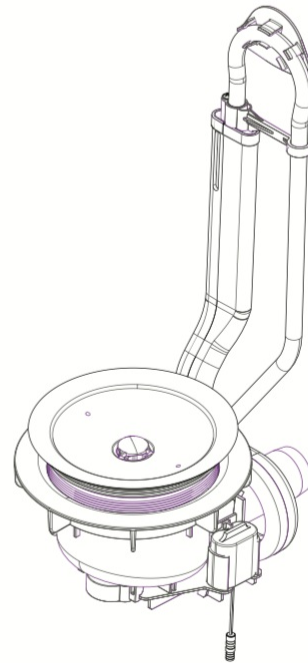


This space for Architect/Engineer Approval

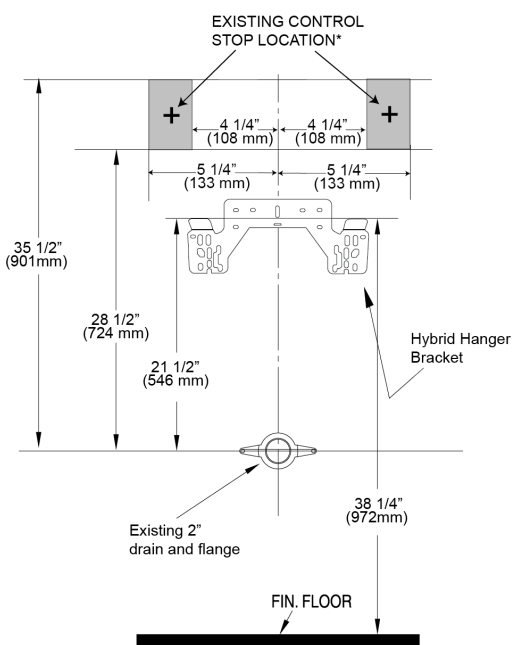
Featuring



### Housing and Jetrinse™ Assembly



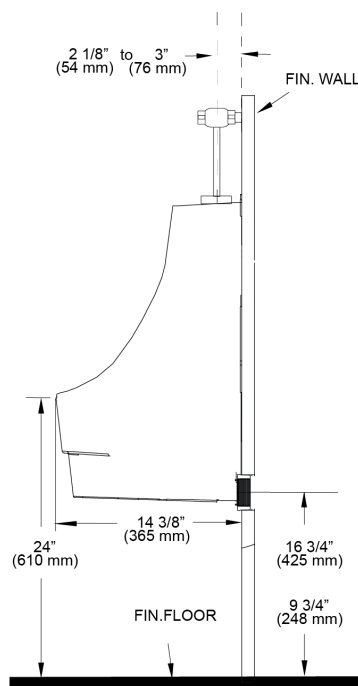
**IMPORTANT-Do not install on copper DWV due to copper's susceptibility to corrosion.**



**ROUGH-IN AND BRACKET LOCATION**

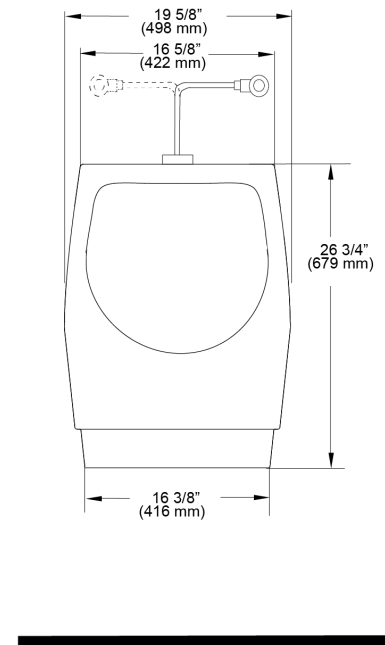
\*Existing control stop location must be within shaded area.

Existing drain should be a maximum of 9 3/4" for ADA 17" rim height requirements,



**SIDE VIEW**

Existing control stop C/L should extend 2 1/8" to 3" from wall.



**FRONT VIEW**